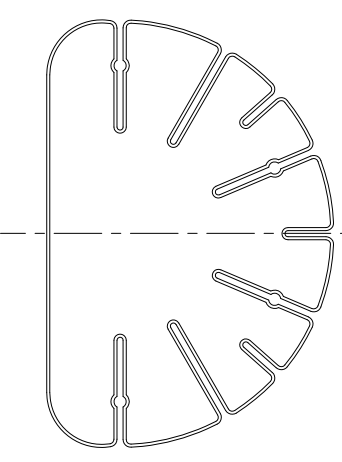
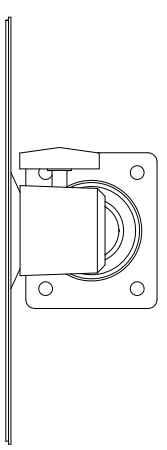
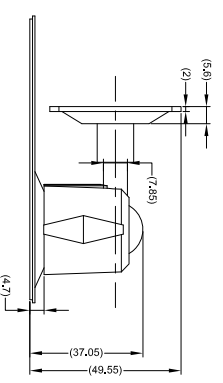
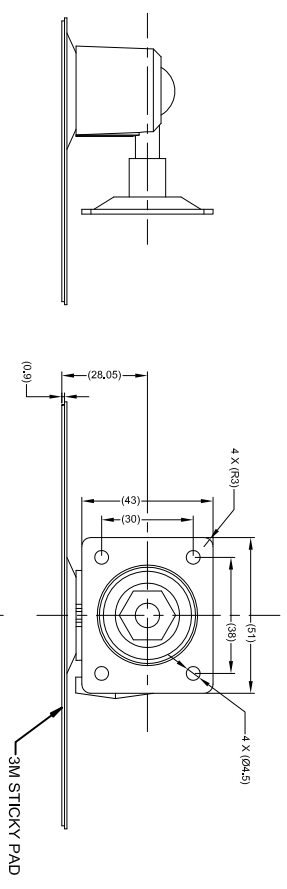
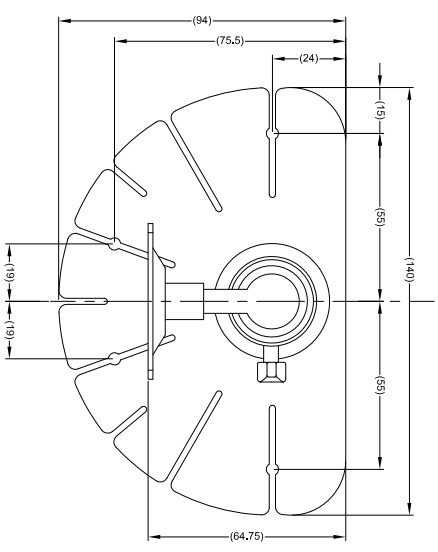


Revision Notes:			
MODEL NUMBER REVISED, MODEL NUMBER UPDATED.			
Checked By: JN	Approved By: SM	Date Released: 20/12/10	
UPDATED TEMPLATE AND ADDED FIXING SCREW DETAILS.			
Checked By: JN	Approved By: SM	Date Released: 03/09/12	



- NOTES:**
1. MATERIAL: STEEL.
 2. FINISH: BLACK
 3. BRACKET TO BE PROVIDED WITH 4 TP2 4X10 SCREWS & 4 MAX10 BOLTS.

PROPRIETARY NOTICE
 THIS DESIGN AND TECHNICAL INFORMATION APPEARING ON THIS DRAWING IS THE PROPERTY OF BRIGADE ELECTRONICS, AND IS DISCLOSED IN CONFIDENCE. IT IS NOT TO BE COPIED, REPRODUCED, REVEALED TO OR EXPLOITED BY OTHERS, EITHER IN WHOLE OR IN PART WITHOUT THE EXPRESS WRITTEN CONSENT OF BRIGADE ELECTRONICS.

BRIGADE
 www.brigade-electronics.com

 Angle of Projection Third Angle		Assembly Pl Approval TROY CHOI (30/08/12)		Approved by DKERAI		Checked by JNEMMAN		Drawn by MBUTLER	
Status RELEASED		Units mm		Scale N/A		Released 16/10/10		Assembly Ref BRKT10	
Part No 2161		BMM-013		BE-001297-02-10					